



LED signage lighting systems

Cabinet Signs

**Tetra<sup>®</sup> EdgeStrip**

**GE current**  
a Daintree company

# The cutting edge of uniform brightness.

**Tetra® EdgeStrip** is engineered to install easily around the edge of signs with a 3 to 6 inch (76mm to 152mm) can depth. Perfect for single or double-sided signs, **Tetra® EdgeStrip** delivers money-saving advantages over T8 fluorescent tubes while producing outstanding visual performance that protects end-user brand image. Discover the new LED alternative that can handle shallow cabinet signs—**Tetra® EdgeStrip**.

## Improved brightness

**Tetra® EdgeStrip** is now **brighter** than the previous generation, commanding attention to your customer's brand image.

**300 lumens per foot (984 lm/m)** with the same loading :  
36 modules per 24V 100W power supply



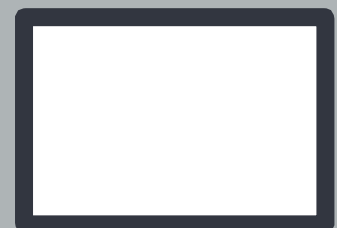
## The OptiLens™ Difference.

**Tetra® EdgeStrip** uses **OptiLens™**, our unique lens technology which captures otherwise wasted light and redirects it towards the illuminated surface to create an exceptionally uniform sign.

T8 fluorescent tubes can create an unwanted striping effect where the space between the tubes appears darker. This visual distraction sends the wrong message about your business, and undermines your overall brand image.



**Fluorescent T8**  
Shadows and Striping



**Tetra® EdgeStrip**  
Even Illumination

## Cover any angle or curved shape with uniform LED light.

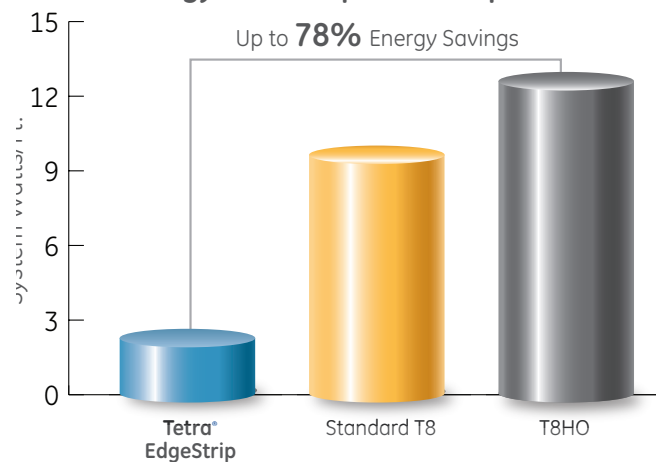
Tetra® EdgeStrip is designed to fit into the frame of cabinet signs, meaning that curved, angular or custom shaped signs can now benefit from LED technology! Unlike fluorescent tubes, that are hard to fit into unique signs and create shadows and stripping, Tetra® EdgeStrip can tightly follow the contour of the sign's frame and distribute uniform light to every inch of the sign face. Protect the brand image of your business by using Tetra® EdgeStrip LED lighting system in your sign



### Impressive Energy Savings.

When you make the switch from T8 Fluorescent tubes to the advanced technology of Tetra EdgeStrip, you give up some brightness for the exceptional uniformity and impressive energy savings of LED. This superior efficiency produces energy savings up to an incredible 78%. Imagine the positive impact that will have on your bottom-line over the long life of the system.

### Energy Consumption Comparison



## Tetra® EdgeStrip Features

- HO ONLY: NEW heat sink to manage thermals.
- OptiLens™ maximizes the area of light coverage by creating a narrow, uniform viewing angle.
- Brighter than ever before.
- Robust design to protect against moisture, dust and damage.
- 3M VHB™ industrial grade mounting tape allows for greater convenience when installing.
- Continuous wire through LED module uses IDC connectors for maximum strain relief.
- Can be cut on wires between modules.
- Pre-drilled holes makes mounting easy.
- Overmolded design protects against moisture, dust and damage.

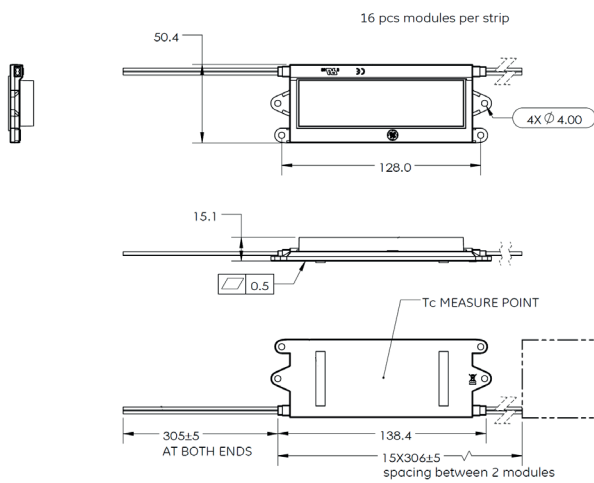
# Total Reliability

To ensure every Tetra® Edgestrip installation will operate brilliantly for years, we perform the most extensive, stringent testing in the industry. We test the LED, water and dust ingress protection, sub-system and complete system at our in-house and independent laboratories around the world. Validation of our designs, components, products and processes include high temperature, high humidity and accelerated life testing.

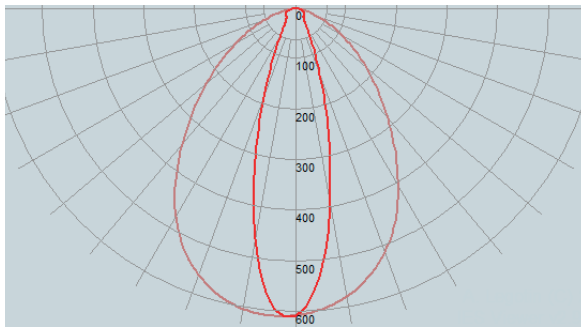
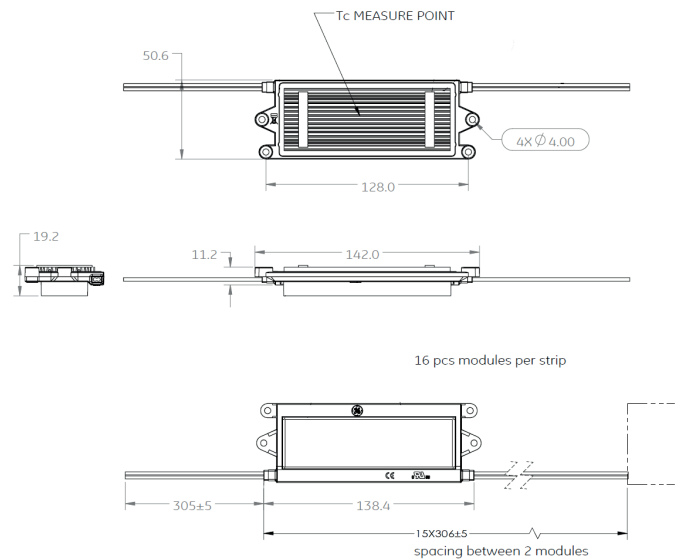
## Mechanical Outline & Viewing Angle

Dimensions in mm.

EdgeStrip Standard



EdgeStrip HO



GEBIH71-2

# Components

SKU	Description	Package Quantity
GEBI71-2	Tetra EdgeStrip 7100K	32 Modules
GEBI50-2	Tetra EdgeStrip 5000K	32 Modules
GEBI41-2	Tetra EdgeStrip 4100K	32 Modules
GEBI32-2	Tetra EdgeStrip 3200K	32 Modules
GEBIH71-2	Tetra EdgeStrip High Output 7100K	32 Modules
GEBIH50-2	Tetra EdgeStrip High Output 5000K	32 Modules
GEBIH41-2	Tetra EdgeStrip High Output 4100K	32 Modules
GEBIH32-2	Tetra EdgeStrip High Output 3200K	32 Modules
9409	18 AWG Supply Wire (0.82 mm2)	500 ft./spool (152.4 m)

# Technical Specifications

Specification Item	Wavelength	Typical Brightness (Lumens/module)	LEDs Module	Energy Consumption (Strip/Module)	Energy Consumption (System/Module)	Power Supply Loading	Viewing Angle
Tetra EdgeStrip	7100K, 5000K 4100K, 3200K	300 282	7	2.52	2.96	36 Modules / 100W PS	27 x 80°
Tetra Edgestrip High Output	7100K, 5000K 4100K, 3200K	550 500	7	5.404	6.17	17 Modules / 100W PS	27 x 80°

Specification Item	Tetra PowerStrip		
Cutting Resolution	Cut on wire between every module		
Power Supply	GEPS24-25U-EU Input: 220-240VAC; Output: 24VDC GEPS24D-80U Input: 90-305VAC; Output: 24VDC GEPS24-100U-GL(X) Input: 108-305VAC; Output: 24VDC GEPS24-300U-GL Input: 120-277VAC; Output: 24VDC		
Maximum Supply Wire Limits	<b>80W, 100W, 300W</b>	<b>25W</b>	<b>Supply Wire Gauge</b>
	20 ft. (6.1 m)	120 ft. (36.6 m)	18AWG/0.82mm <sup>2</sup> supply wire - 9409
	25 ft. (7.6 m)		16AWG/1.31mm <sup>2</sup> supply wire
	35 ft. (10.6 m)		14AWG/2.08mm <sup>2</sup> supply wire
	40 ft. (12.1 m)		12AWG/3.31mm <sup>2</sup> supply wire
Operating Environment	-40 °C to +60 °C		
Module Dimensions (h x l x w)	Tetra EdgeStrip: 0.59 x 1.98 x 5.45 (15mm x 50mm x 138mm)		Tetra EdgeStrip HO: 0.76 x 1.98 x 5.45 (19mm x 50mm x 138mm)
Sign Dimensions	For best results, recommended sign depth is 3 inches (76mm) or greater		For best results, recommended sign depth is 5 inches (127mm) or greater
Warranty	GE offers a limited system warranty of up to five (5) years		
System Certifications	UL Recognized #E219167, UL Classified #E229508, CE, C-tick IP66 rated: separate enclosure required, damp location rated		