



Border lighting lighting systems
Visibly Better

Tetra[®] Contour

Labor Saving Installation

Tetra[®] Contour installation is quick and easy using low-profile mounting clips. It provides a bright, uniform appearance, seamless illumination and a wide 330° of light output. **Tetra[®] Contour LS** comes pre-assembled and features a plug & play design that saves on labor and installation costs. For each 8-foot (2.44m) length, simply screw in light guide mounting clips, clip **Tetra[®] Contour LS** into place, use quick connectors to plug in the next section, and you're done!

Range of Colors

With several brilliant colors of LED light engine and several vibrant light guides to choose from, designers can mix and match components to easily create customized looks.

Complete neon replacement system

Tetra® Contour combines a flexible LED light engine with a rigid, optically diffuse extruded-plastic light guide that can be heated and formed to fit a wide variety of designs and applications. Tetra® Contour LS (linear series) is the unbendable companion product used for creating linear border lighting sections. Working together, these products comprise a complete LED system that provides the classic appearance of neon and complements the unique design of any building.

Designed with environmental responsibility in mind

This environmentally responsible LED lighting system complies with RoHS standards. **Tetra® Contour** contains no lead, mercury or glass, so handling and disposal are less of a concern.

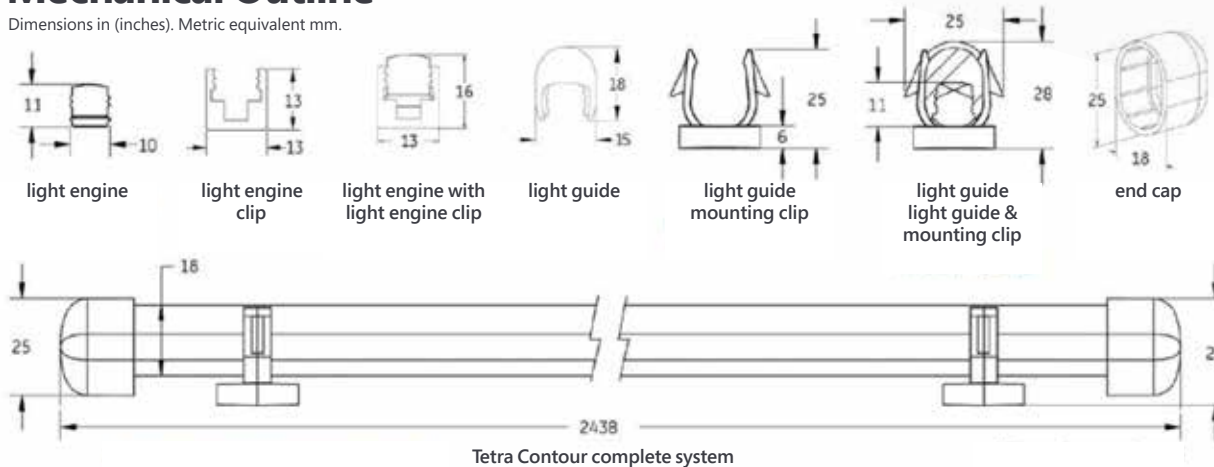


Flexible light engine provides uniform light and can be used without light guide in low profile indoor accent applications



Mechanical Outline

Dimensions in (inches). Metric equivalent mm.



Tetra® Contour & Contour LS

SKU	Description	Color	Quantity	Additional Information
GEXNBL-1	Tetra® Contour Blue LED Light Engine	Blue	12/Box	Unit Length 8 ft (2.44m)
GEXNGL-1	Tetra® Contour Green LED Light Engine	Green	12/Box	Unit Length 8 ft (2.44m)
GEXNYG-1	Tetra® Contour Amber LED Light Engine	Amber	12/Box	Unit Length 8 ft (2.44m)
GEXNRC-1	Tetra® Contour Red-Orange LED Light Engine	Red-Orange	12/Box	Unit Length 8 ft (2.44m)
GEXNRD-1	Tetra® Contour Red LED Light Engine	Red	12/Box	Unit Length 8 ft (2.44m)
GEXN65-1	Tetra® Contour White (6500K) LED Light Engine	White	12/Box	Unit Length 8 ft (2.44m)
GEXN32-1	Tetra® Contour Warm White (3200K) LED Light Engine	Warm White	12/Box	Unit Length 8 ft (2.44m)
GEXNLBL-1	Tetra® Contour LS Blue Light Engine and Blue Light Guide	Blue	12/Box	Unit Length 8 ft (2.44m)
GEXNLGL-1	Tetra® Contour LS Green Light Engine and Green Light Guide	Green	12/Box	Unit Length 8 ft (2.44m)
GEXNLRD-1	Tetra® Contour LS Red Light Engine and Red Light Guide	Red	12/Box	Unit Length 8 ft (2.44m)
GEXNL65-1	Tetra® Contour LS White Light Engine (6500K) and White Light Guide	White	12/Box	Unit Length 8 ft (2.44m)
GEXNL32-1	Tetra® Contour LS Warm White (3200K) LED Light Engine	Warm White	12/Box	Unit Length 8 ft (2.44m)

Vastly Superior Loading

Versus our previous products, **Tetra® Contour** features 103% greater loading, and **Tetra® Contour LS** delivers 137% greater loading—so more feet of product can be run off each power supply than ever before—providing significant savings on material and labor costs

Durable Robust System

Designed using Six Sigma quality standards, the **Tetra® Contour** LED lighting system has a long life that delivers up to five years of continuous 24/7 use. Impact resistant design helps eliminate excess shipping, installation and maintenance costs due to breakage. It withstands harsh weather conditions, vibration and stress, and is backed by our 5-year limited warranty.

Technical Specifications

Specification Item	Wavelength Color Temp	Typical Brightness lumens/ft (light engine)	LEDs per Module	Energy Consumption (Strip/ft)	Energy Consumption (System/ft)	Power Supply Loading (ft/100W)	Viewing Angle (light engine/with light guide)
GEXNBL-1	467nm	30	42	1.52	1.79	59	115/330°
GEXNGL-1	532nm	120	42	1.52	1.79	59	115/330°
GEXNYG-1	589nm	60	42	2.27	2.67	40	115/330°
GEXNRC-1	618nm	85	42	2.27	2.67	40	115/330°
GEXNRD-1	625nm	55	42	1.52	1.79	59	115/330°
GEXN65-1	6500K	140	48	3.17	3.73	29	115/330°
GEXN32-1	3200K	130	48	3.17	3.73	29	115/330°
GEXNLBL-1	467nm	30	21	1.73	2.03	52	115/330°
GEXNLGL-1	532nm	120	21	1.73	2.03	52	115/330°
GEXNLRD-1	625nm	55	21	1.30	1.53	69	115/330°
GEXNL65-1	6500K	140	24	3.17	3.73	29	115/330°
GEXNL32-1	3200K	130	24	3.17	3.73	29	115/330°

Dimmable	Yes (with dimmable power supply)				
Cutting Resolution	On Contour ONLY cut on wire between every module or the location showing "CUT HERE ONLY" on module.				
Power Supply	GEPS24-25-NA Input: 100-305VAC; Output: 24VDC GEPS24D-80U Input: 90-305VAC; Output: 24VDC GEPS24-100U Input: 108-305VAC; Output: 24VDC GEPS24-200U Input: 90-305VAC; Output: 24VDC GEPS24-300U Input: 108-305VAC; Output: 24VDC				
Maximum Supply Wire Limits		18 AWG/0.82 mm ² Supply Wire	16 AWG/1.31 mm ² Supply Wire	14 AWG/2.08 mm ² Supply Wire	12 AWG/3.31 mm ² Supply Wire
	20W Power Supply	20 ft./6.1 m	-	-	-
	80W Power Supply	20 ft./6.1 m	30 ft./9.1 m	50 ft./15.2 m	86 ft./26.1 m
	100W Power Supply	20 ft./6.1 m	30 ft./9.1 m	50 ft./15.2 m	86 ft./26.1 m
	200W Power Supply	20 ft./6.1 m	30 ft./9.1 m	50 ft./15.2 m	86 ft./26.1 m
300W Power Supply	20 ft./6.1 m	30 ft./9.1 m	50 ft./15.2 m	86 ft./26.1 m	
Operating Environment	-40 °C to +60 °C (-40 °F to +140 °F)				
Module Dimensions (h x l x w)	Light engine: 0.47" x 15.98" x 0.39" (12 mm x 406 mm x 10.1 mm) Light engine with light guide: 1.10" x 96" x 0.98" (28 mm x 2440 mm x 25 mm)				
Warranty	Limited system warranty of up to five (5) years				
System Certifications	UL Recognized #E219167, UL Classified #E229508, CE, C-tick, RoHS, Light engine IP54 rated: Dry or damp location rated Light engine and Light Guide IP66 rated: Dry, damp or wet location rated				

Tetra® Contour & Contour LS Components

SKU	Description	Color	Quantity	Additional Information
GERDXNLG15	Tetra® Contour Light Guide	Red	12/box	Unit Length: 8 ft. (2.44m)
GEPOXNLG15	Tetra® Contour Light Guide	Orange	12/box	Unit Length: 8 ft. (2.44m)
GEYAXNLG15	Tetra® Contour Light Guide	Yellow	12/box	Unit Length: 8 ft. (2.44m)
GGLXNLG15	Tetra® Contour Light Guide	Green	12/box	Unit Length: 8 ft. (2.44m)
GEBLXNLG15	Tetra® Contour Light Guide	Blue	12/box	Unit Length: 8 ft. (2.44m)
GEXNLG15	Tetra® Contour Light Guide	White	12/box	Unit Length: 8 ft. (2.44m)

Accessories

SKU	Description	Color	Quantity	Additional Information
GEPS24-20	Power Supply: Input: 90-264VAC, Output: 24VDC/20W		10 power supplies	
GEPS24-80	Power Supply: Input: 108-264VAC, Output: 24VDC/80W		10 power supplies	
GEPS24-100U	Power Supply: Input: 108-305VAC, Output: 24VDC/100W		10 power supplies	
GEPS24-180	Power Supply: Input: 90-305VAC, Output: 24VDC/180W		8 power supplies	
9409	18 AWG (0.82mm ²) Supply Wire		500 ft. (152.40 m) per spool	2 wire
GEXNWB2	Weather Box		20/bag	White, Paintable Surface
GEXNBA	Tetra Contour Silicone Bend-Aid (Reusable)		12/bag	Unit Length: 16 in. (406mm)
GEXNMC15	Tetra Contour Light Guide Clear Mounting Clip		50/bag	
93053776	GEXNMCML-15 - Tetra Contour Light Guide Metal Mounting Clip		50/bag	
GEXNMCAC	Tetra Contour Light Engine Mounting Clip		20/bag	White, Paintable Surface
191600041	22-14 AWG Twist-on Wire Connector (0.82-2.08 mm ²)		500/bag	
ULA Approved	Blue 300V rated 22-14 AWG Connector			
GERDXNLGEC15	Tetra Contour Light Guide End Cap	Red	20/bag	
GERDXNLGC15	Tetra Contour Light Guide Connector	Red	20/bag	
GERDXNLGI15	Tetra Contour Light Guide 90° Inside Corner	Red	20/bag	
GERDXNLGO15	Tetra Contour Light Guide 90° Outside Corner	Red	20/bag	
GERDXNLGP15	Tetra Contour Light Guide 90° Planar Corner	Red	20/bag	
GEPOXNLGC15	Tetra Contour Light Guide Connector	Orange	20/bag	
GEPOXNLGEC15	Tetra Contour Light Guide End Cap	Orange	20/bag	
GEPOXNLGI15	Tetra Contour Light Guide 90° Inside Corner	Orange	20/bag	
GEPOXNLGO15	Tetra Contour Light Guide 90° Outside Corner	Orange	20/bag	
GEPOXNLGP15	Tetra Contour Light Guide 90° Planar Corner	Orange	20/bag	
GEYAXNLGC15	Tetra Contour Light Guide Connector	Yellow	20/bag	
GEYAXNLGEC15	Tetra Contour Light Guide End Cap	Yellow	20/bag	
GEYAXNLGI15	Tetra Contour Light Guide 90° Inside Corner	Yellow	20/bag	
GEYAXNLGO15	Tetra Contour Light Guide 90° Outside Corner	Yellow	20/bag	
GEYAXNLGP15	Tetra Contour Light Guide 90° Planar Corner	Yellow	20/bag	
GGLXNLGEC15	Tetra Contour Light Guide End Cap	Green	20/bag	
GGLXNLGC15	Tetra Contour Light Guide Connector	Green	20/bag	
GGLXNLGI15	Tetra Contour Light Guide 90° Inside Corner	Green	20/bag	
GGLXNLGO15	Tetra Contour Light Guide 90° Outside Corner	Green	20/bag	
GGLXNLGP15	Tetra Contour Light Guide 90° Planar Corner	Green	20/bag	
GEBLXNLGEC15	Tetra Contour Light Guide End Cap Blue 20/bag			
GEBLXNLGC15	Tetra Contour Light Guide Connector	Blue	20/bag	
GEBLXNLGI15	Tetra Contour Light Guide 90° Inside Corner	Blue	20/bag	
GEBLXNLGO15	Tetra Contour Light Guide 90° Outside Corner	Blue	20/bag	
GEBLXNLGP15	Tetra Contour Light Guide 90° Planar Corner	Blue	20/bag	
GEXNLGEC15	Tetra Contour Light Guide End Cap	White	20/bag	
GEXNLGC15	Tetra Contour Light Guide Connector	White	20/bag	
GEXNLGI15	Tetra Contour Light Guide 90° Inside Corner	White	20/bag	
GEXNLGO15	Tetra Contour Light Guide 90° Outside Corner	White	20/bag	
GEXNLGP15	Tetra Contour Light Guide 90° Planar Corner	White	20/bag	